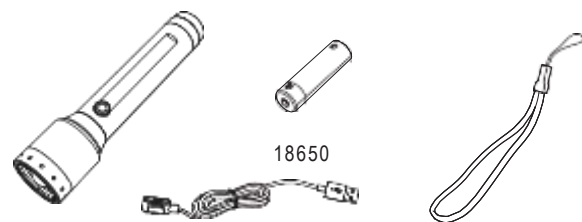
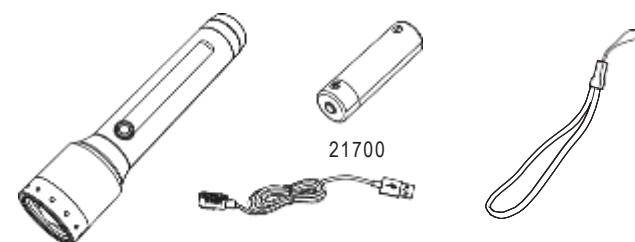


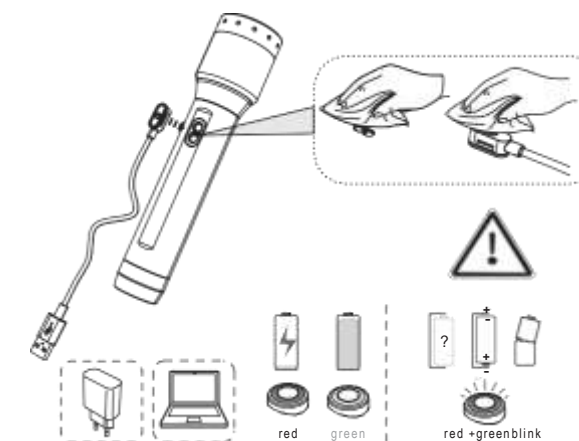
P6R Core



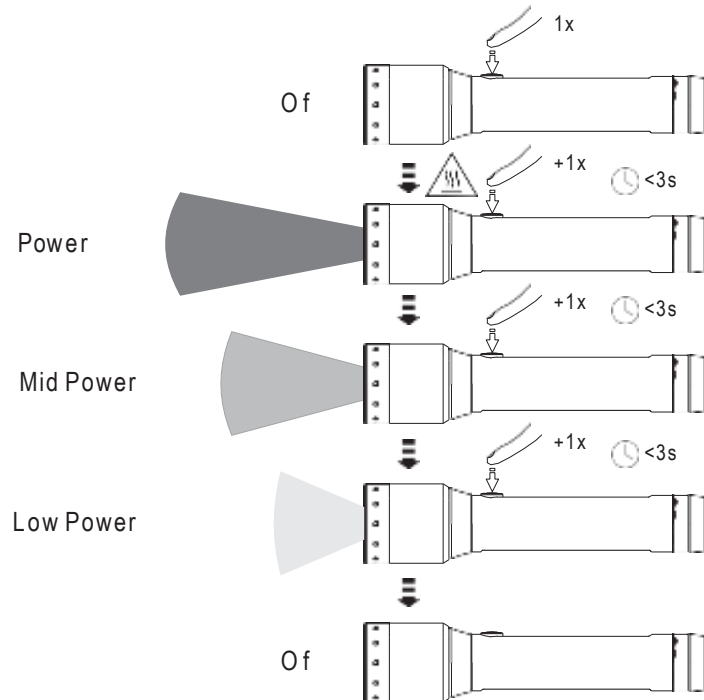
P7R Core



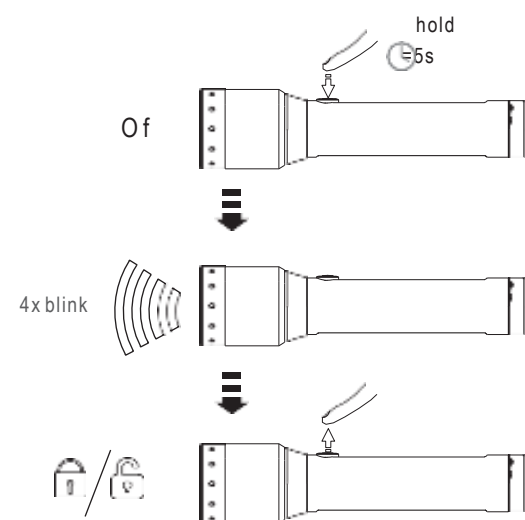
Magnetic Charging System



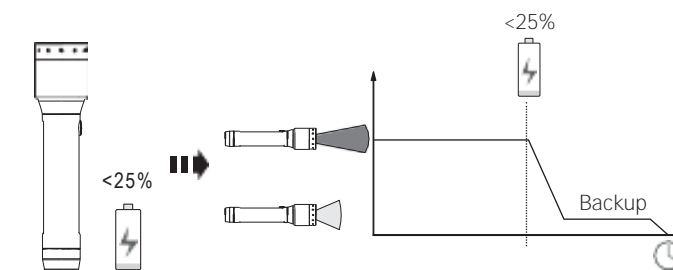
Default Operation



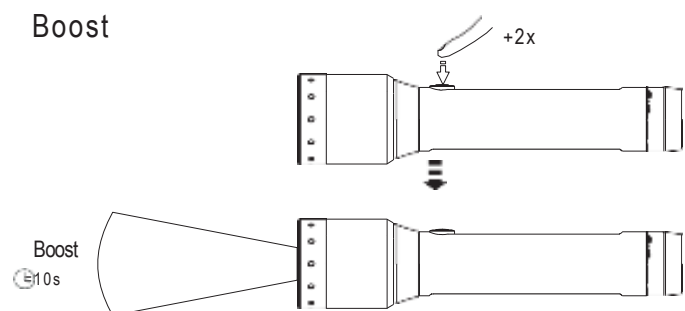
Transportation Lock



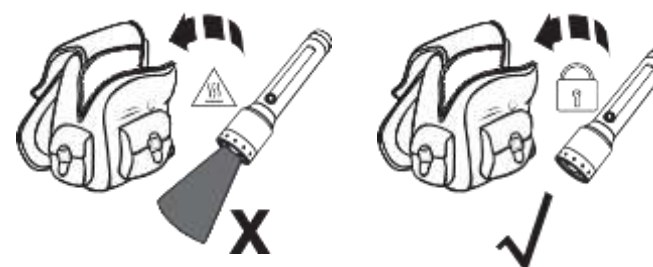
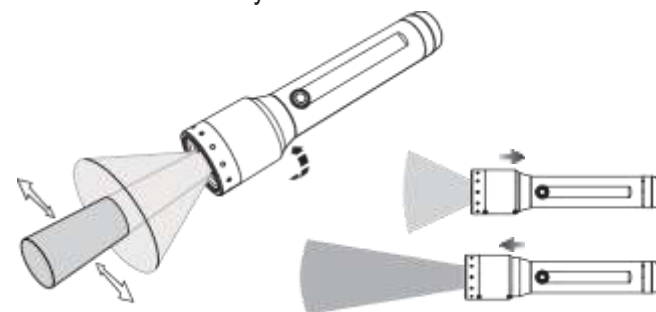
Backup Mode



Boost



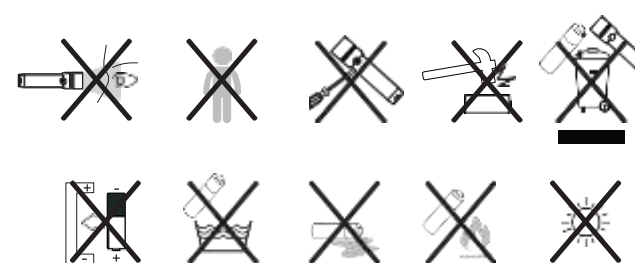
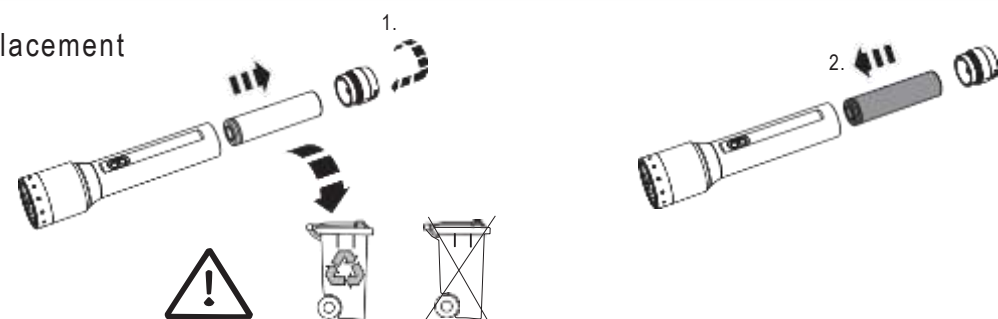
Advanced Focus System



Lanyard



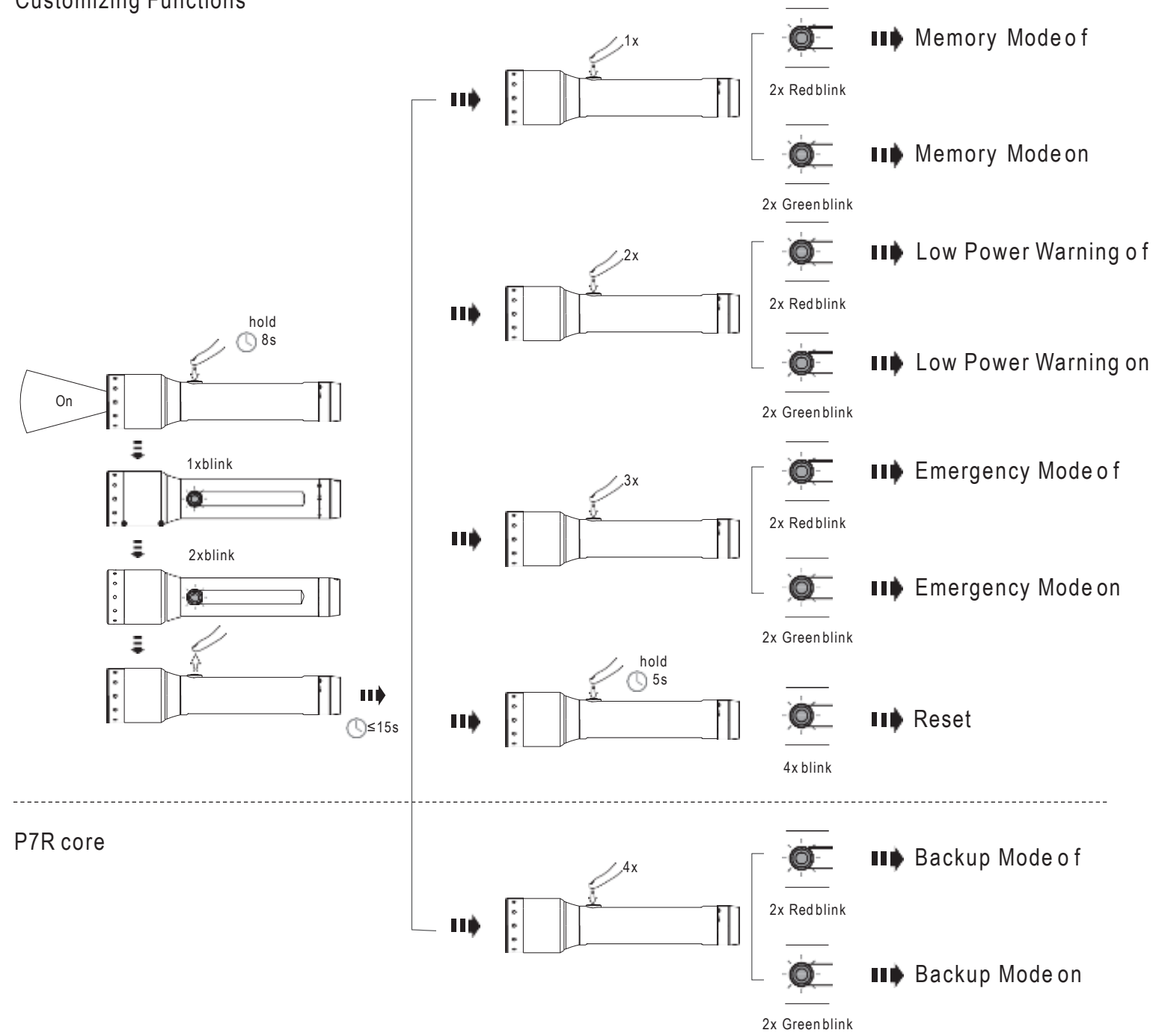
Battery Replacement



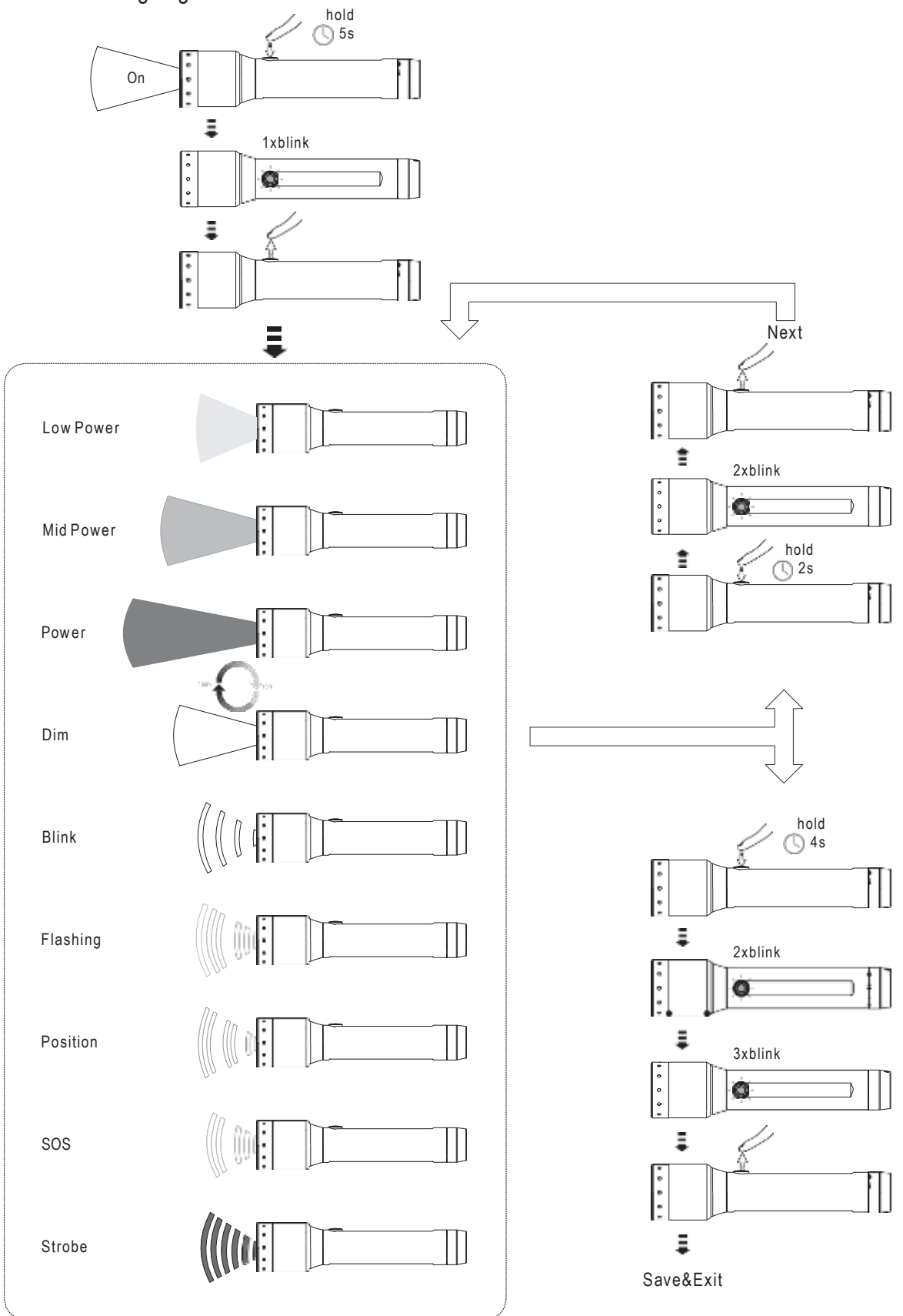
Ledlenser GmbH & Co. KG  
Kronenstr. 5-7 • 42699 Solingen • Germany  
Phone +49 212/5948-0 Fax +49 212/5948-200  
[info@ledlenser.com](mailto:info@ledlenser.com)



### Customizing Functions



### Customizing Light Modes



### Further Information

